



# AVENUE OF HEROES NEIGHBORHOOD LIGHTING AND STREET IMPROVEMENTS ALONG THIRD AND FOURTH STREET - CONCEPTUAL DESIGN



AUGUST 2018

## PROJECT OVERVIEW

Coronado wants to celebrate the heroes of the US Military through the display of banners that highlight heroes that served this country. Banners will generally be rotated on a 6 month basis. This project will provide more banners and more permanent lighting and plaza development.

## OBJECTIVES

- improve lighting conditions along the route and install lighting fixtures more in context with the traditional and historic nature of Coronado
- update the transit bench and trash receptacles
- revitalize the parkway strip with new plant material and lessen the amount of turf used in these parkways (no longer pursued)
- provide traffic calming of streets through the use of bulb-outs and other edge friction elements (directed to only provide interim painted bulbouts)
- add street trees if they are missing and remove very poor health trees or invasive species and replace with new trees

## PROJECT DESIGN STATEMENT

- the project wants to honor heroes with a more permanent marker beyond the 6 month banner
- the intent is to create plazas at the intersections that can provide more permanent discussions accomplished through a bronze plaque
- the pavers is to use an ungrouted brick paver that can be etched with heroes names and branch, and placed back into the paver areas
- the plaza includes blue stars in the concrete, made up of recycled glass material in the concrete
- street prints would be made by with colored asphaltic material that is then heated into the top surface of the pavements
- light poles will meet Caltrans crash structural requirements



# AVENUE OF HEROES NEIGHBORHOOD LIGHTING AND STREET IMPROVEMENTS ALONG THIRD AND FOURTH STREET - CONCEPTUAL DESIGN



ktua

AUGUST 2018



LOOKING SOUTH AT ALAMEDA



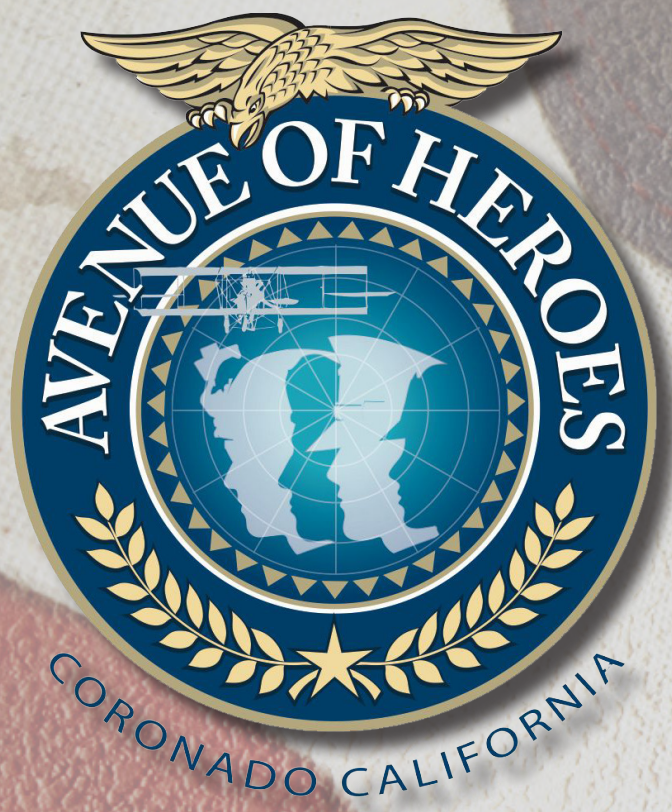
LOOKING SOUTH AT "J" STREET



LOOKING SOUTH JUST PAST "J" STREET



LOOKING SOUTH AT "I" STREET



### Existing Photos Heading South on Fourth for Two Blocks from Alameda to "I" Street

## AVENUE OF HEROES NEIGHBORHOOD LIGHTING AND STREET IMPROVEMENTS ALONG THIRD AND FOURTH STREET - CONCEPTUAL DESIGN



AUGUST 2018



**Legend**

01 Striping of future bulb-out spaces	05 Curb ramp	09 Plaza (see enlargement plans)
02 Decorative intersection pavement imprint	06 Ex. parkway lawn	10 Banner pole with decorative light fixture
03 Signal light with decorative light fixture	07 Banner pole with single banners.	11 Proposed tree
04 Ladder-style crosswalk	08 Ex. tree/palm	

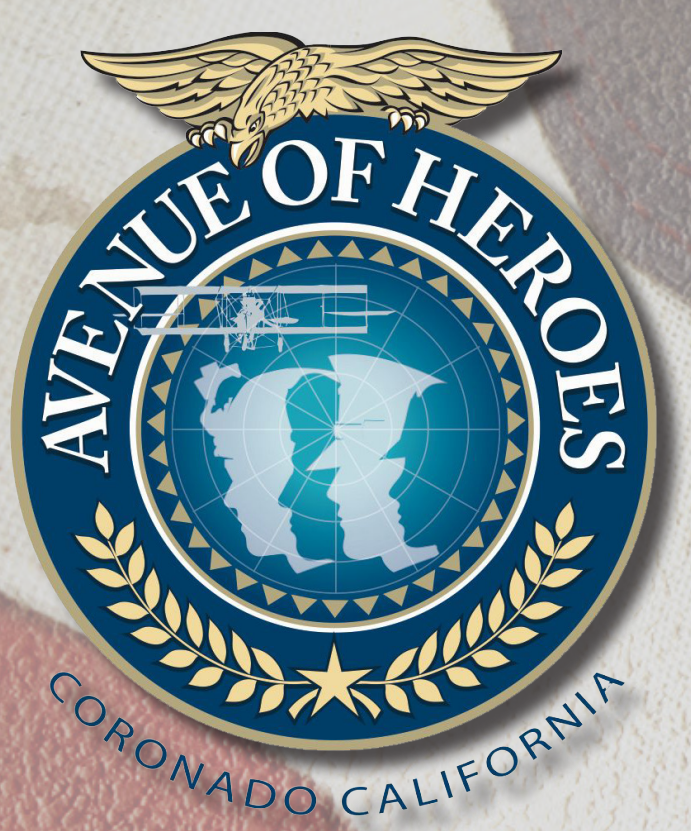


**Two-Block Example Area**

**AVENUE OF HEROES**  
 NEIGHBORHOOD LIGHTING AND STREET IMPROVEMENTS ALONG THIRD AND FOURTH STREET - CONCEPTUAL DESIGN



AUGUST 2018



**View Looking South on 4th from Alameda**

**AVENUE OF HEROES  
NEIGHBORHOOD LIGHTING AND STREET IMPROVEMENTS ALONG THIRD AND  
FOURTH STREET - CONCEPTUAL DESIGN**



AUGUST 2018



**View Looking South on 4th with Existing and Proposed Trees**

**AVENUE OF HEROES**  
NEIGHBORHOOD LIGHTING AND STREET IMPROVEMENTS ALONG THIRD AND  
FOURTH STREET - CONCEPTUAL DESIGN



AUGUST 2018



**View Looking South on 4th with Trees Hidden**

**AVENUE OF HEROES**  
NEIGHBORHOOD LIGHTING AND STREET IMPROVEMENTS ALONG THIRD AND  
FOURTH STREET - CONCEPTUAL DESIGN



AUGUST 2018



**View Looking South on 4th with Trees Hidden**

**AVENUE OF HEROES**  
NEIGHBORHOOD LIGHTING AND STREET IMPROVEMENTS ALONG THIRD AND  
FOURTH STREET - CONCEPTUAL DESIGN

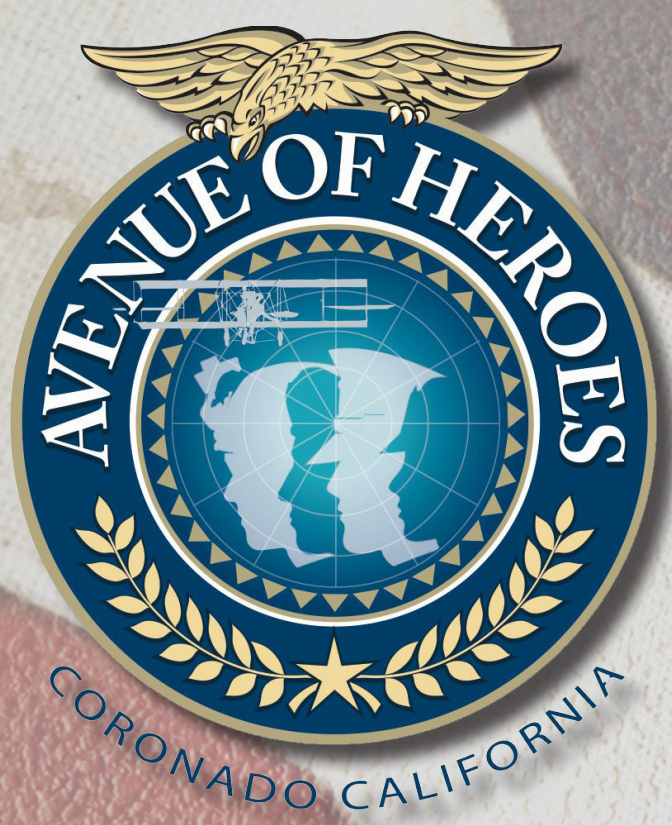
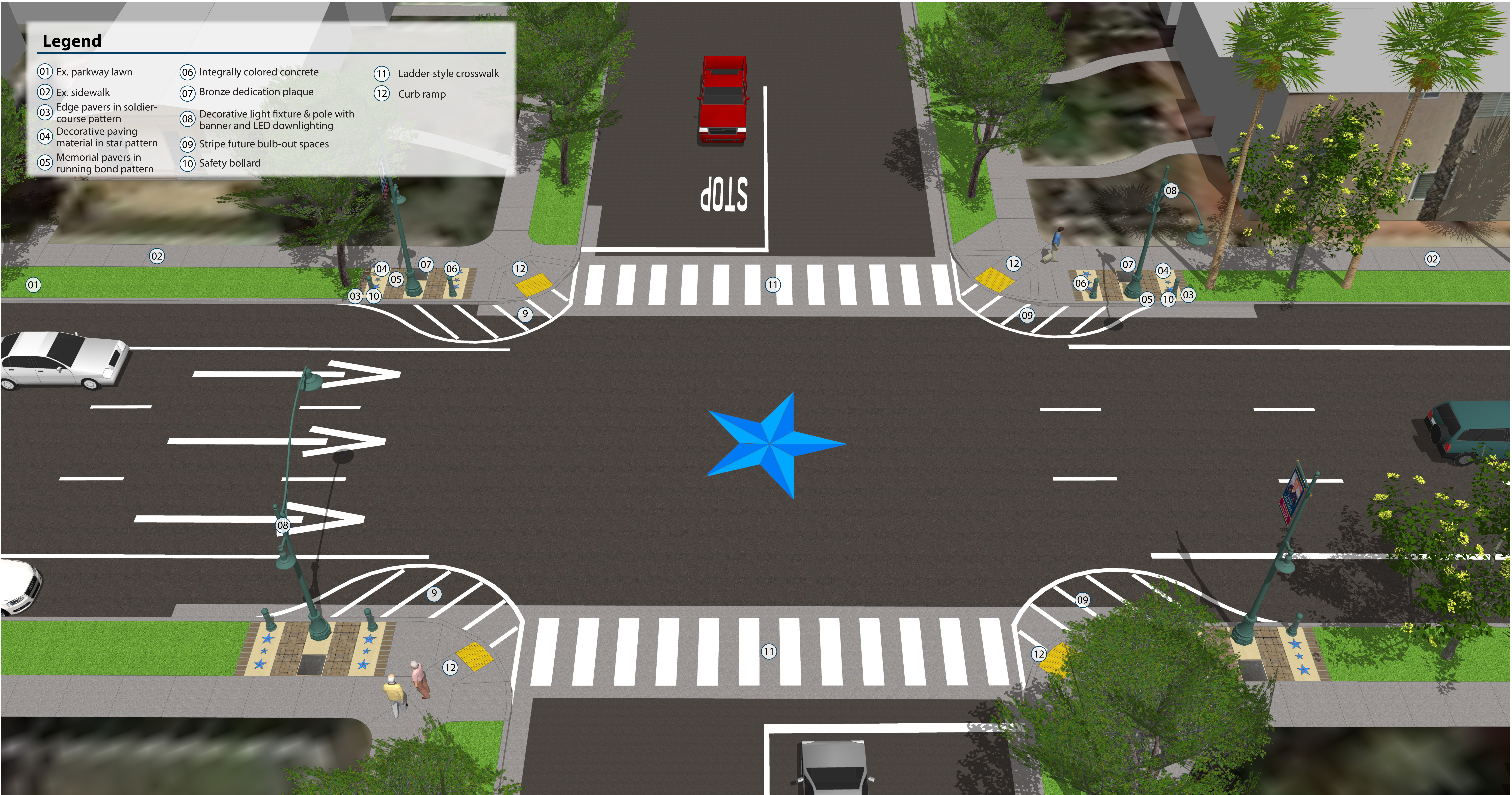


AUGUST 2018



**Legend**

- 01 Ex. parkway lawn
- 02 Ex. sidewalk
- 03 Edge pavers in soldier-course pattern
- 04 Decorative paving material in star pattern
- 05 Memorial pavers in running bond pattern
- 06 Integrally colored concrete
- 07 Bronze dedication plaque
- 08 Decorative light fixture & pole with banner and LED downlighting
- 09 Stripe future bulb-out spaces
- 10 Safety bollard
- 11 Ladder-style crosswalk
- 12 Curb ramp



**Overview of Plaza at Intersections**

**AVENUE OF HEROES**

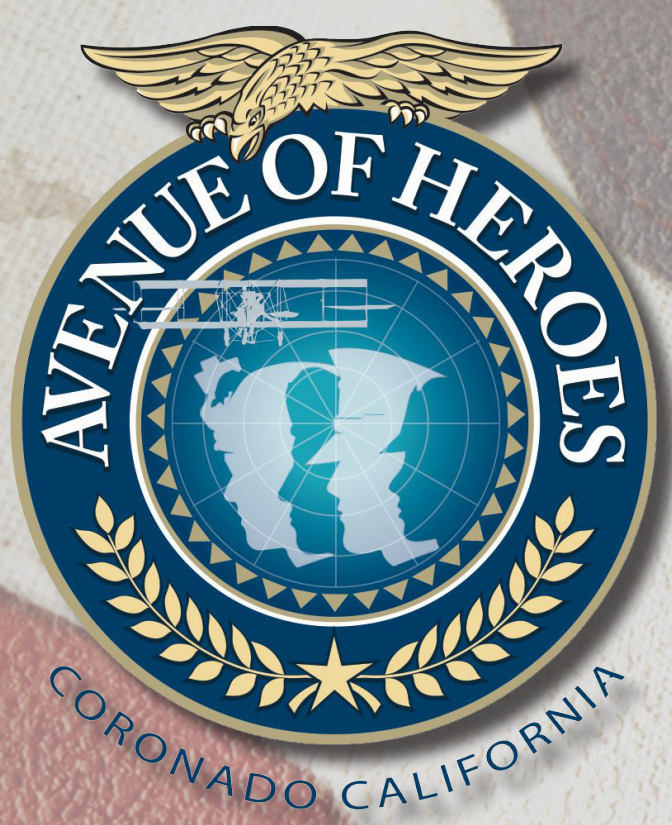
NEIGHBORHOOD LIGHTING AND STREET IMPROVEMENTS ALONG THIRD AND FOURTH STREET - CONCEPTUAL DESIGN





**Legend**

- 01 Ex. parkway lawn
- 02 Ex. sidewalk
- 03 Edge pavers in soldier-course pattern
- 04 Decorative paving material in star pattern
- 05 Memorial pavers in running bond pattern
- 06 Integrally colored concrete
- 07 Bronze dedication plaque
- 08 Decorative light fixture & pole with banner and LED downlighting
- 09 Stripe future bulb-out spaces
- 10 Safety bollard
- 11 Ladder-style crosswalk
- 12 Curb ramp



**Detail of Plaza at Intersections**

**AVENUE OF HEROES**

NEIGHBORHOOD LIGHTING AND STREET IMPROVEMENTS ALONG THIRD AND FOURTH STREET - CONCEPTUAL DESIGN



AUGUST 2018

**Legend**

- 01 Ex. parkway lawn
- 02 Ex. sidewalk
- 03 Edge pavers in soldier-course pattern
- 04 Decorative paving material in star pattern
- 05 Memorial pavers in running bond pattern
- 06 Integrally colored concrete
- 07 Bronze dedication plaque
- 08 Decorative light fixture & pole with banner and LED downlighting
- 09 Stripe future bulb-out spaces
- 10 Safety bollard
- 11 Ladder-style crosswalk
- 12 Curb ramp



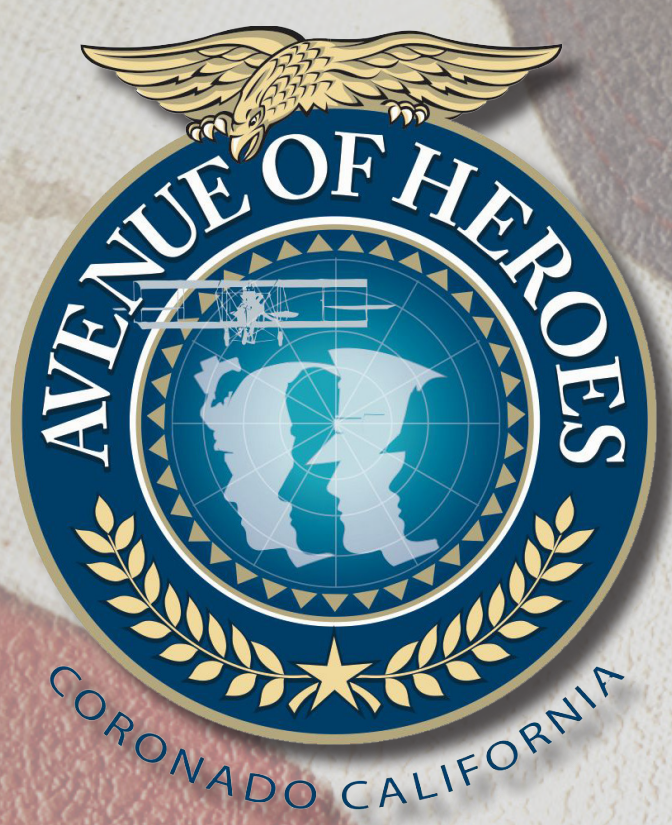
**Detail of Corner Plazas**

**AVENUE OF HEROES**

NEIGHBORHOOD LIGHTING AND STREET IMPROVEMENTS ALONG THIRD AND FOURTH STREET - CONCEPTUAL DESIGN



AUGUST 2018



## Transit Stop Furnishings

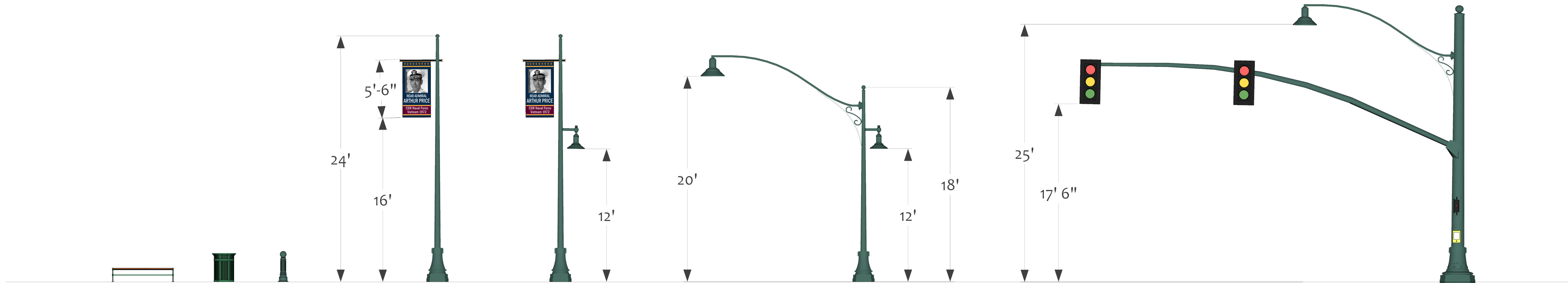
### AVENUE OF HEROES

NEIGHBORHOOD LIGHTING AND STREET IMPROVEMENTS ALONG THIRD AND FOURTH STREET - CONCEPTUAL DESIGN



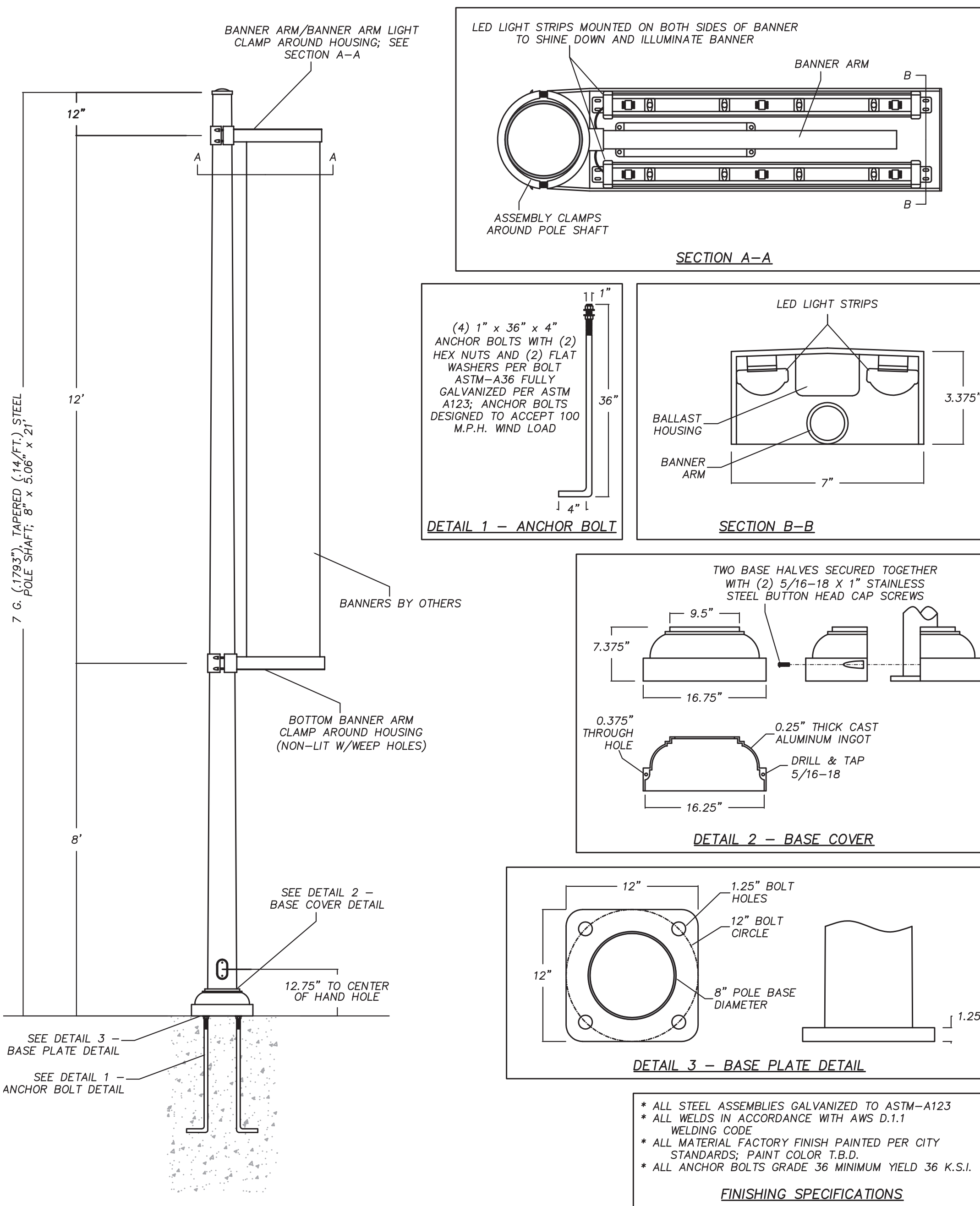
AUGUST 2018

# DESIGN OVERVIEW OF SITE FURNISHING AND LIGHTS



LIGHT STANDARDS & FURNISHINGS

## LED BANNER LIGHTING OPTION

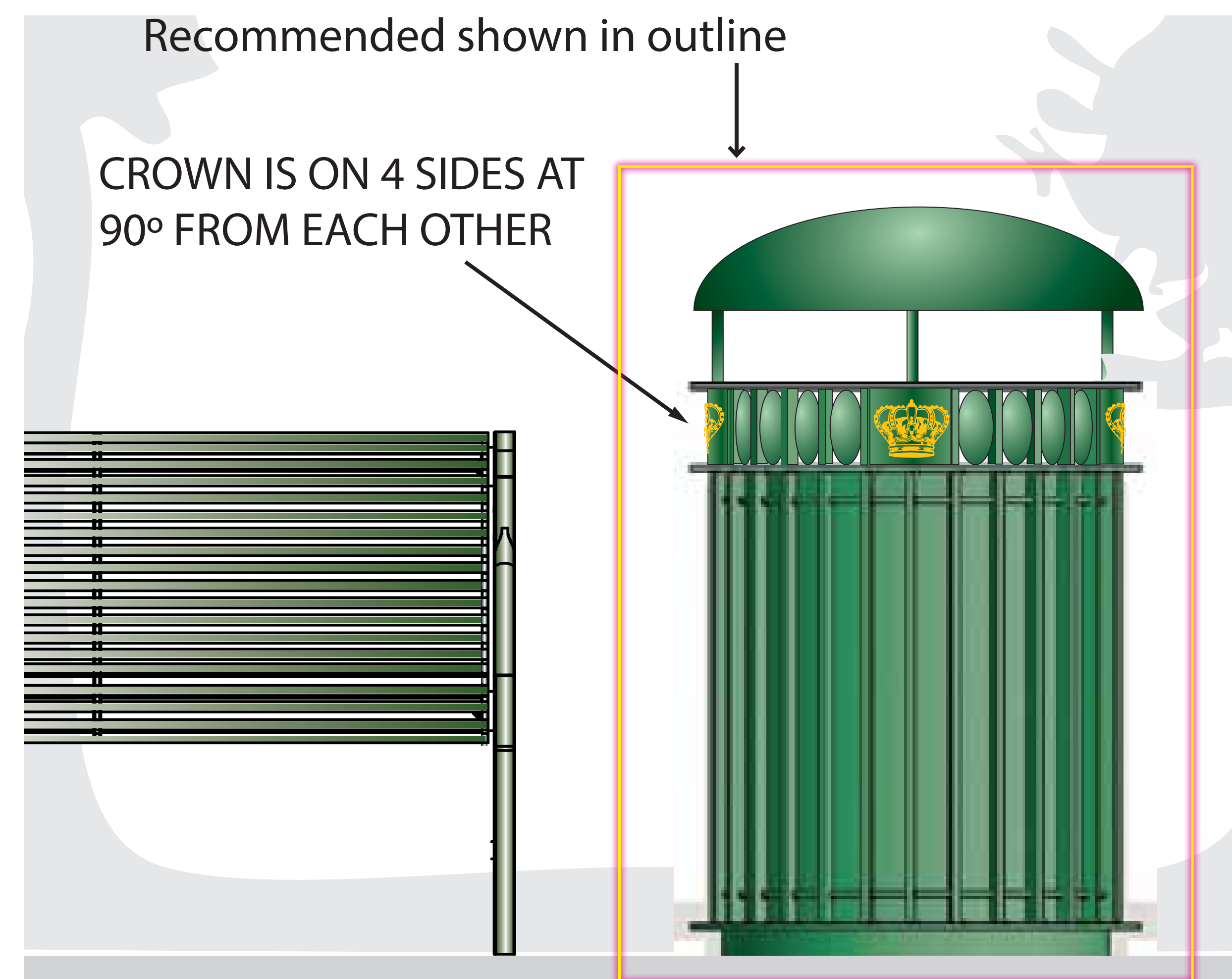


## PROPOSED BENCHES, BOLLARDS AND TRASH RECEPTACLES

### TRASH RECEPTACLE WITH BIRD PROOF TOP COVER

Recommended shown in outline

CROWN IS ON 4 SIDES AT 90° FROM EACH OTHER



## Lighting and Street Furnishings

### AVENUE OF HEROES

NEIGHBORHOOD LIGHTING AND STREET IMPROVEMENTS ALONG THIRD AND FOURTH STREET - CONCEPTUAL DESIGN

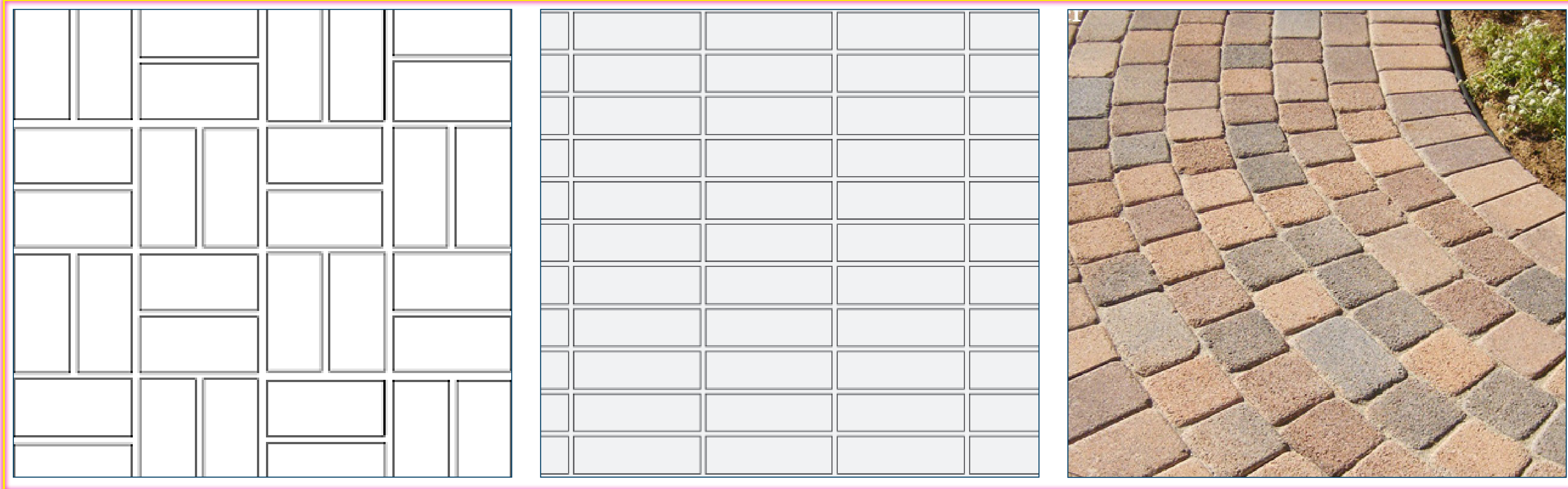


AUGUST 2018

# MATERIAL AND FURNISHING OPTIONS

Recommended shown in outline

## PAVING PATTERNS AND MATERIALS/COLORS



## TREE OPTIONS



Hong Kong Orchid Tree (*Bauhinia blakeana*)



Cassia Tree (*Cassia surattensis*)

## Asphalt Intersection Treatments



## Concrete Treatments



## Plant Material and Paving Options

### AVENUE OF HEROES

NEIGHBORHOOD LIGHTING AND STREET IMPROVEMENTS ALONG THIRD AND FOURTH STREET - CONCEPTUAL DESIGN



AUGUST 2018